



# DOSPEL

Leader in Ventilation

-SINCE 1974-



**NEW**

## **BREAKTHROUGH TECHNOLOGY IN INDUSTRIAL VENTILATION**

**APPLICATION OF TESLA BLDC MOTORS  
ENERGY SAVING UP TO -70%**

**UP TO 8 YEARS  
OF WARRANTY  
AS A CONFIRMATION OF  
THE DOSPEL QUALITY**



**Centrifugal  
duct fan**

**WK**


**BLDC**



**THANKS TO SMOOTH POWER ADJUSTMENT  
YOU HAVE FULL CONTROL OVER ELECTRICITY  
CONSUMPTION ON THE POTENTIOMETER**

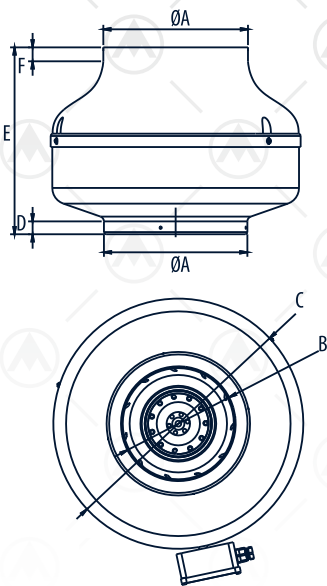
 [dospel@dospel.com](mailto:dospel@dospel.com)

 [dospel.com](http://dospel.com)

 +48 (34) 370 30 00

**TECHNICAL PARAMETERS**

TYPE	JEDNOSTKA	WK BLDC Ø100	WK BLDC Ø125	WK BLDC Ø150	WK BLDC Ø160	WK BLDC Ø200	WK BLDC Ø250	WK BLDC Ø315
AIR FLOW	[m <sup>3</sup> /h]	390	510	525	550	1300	1650	2100
STATIC PRESSURE	[Pa]	390	287	278	270	485	515	610
STATIC PRESSURE	[mm H2O]	39,8	29,3	28,3	27,5	49,4	52,5	62,2
ACOUSTIC PRESSURE	[dB(A)]	62	61	61	61	68	70	72
POWER SUPPLY	[V/Hz]	250/50 220/60	250/50 220/60	250/50 220/60	250/50 220/60	250/50 220/60	250/50 220/60	250/50 220/60
ROTATION SPEED	[RPM]	2620	2528	2620	2620	2620	2620	2620
POWER	[W]	45	48	52	55	80	90	140
MAX. WORKING TEMP.	[°C]	70	70	70	70	70	70	70
WEIGHT	[kg]	2,10	2,20	2,30	2,35	2,90	4,00	6,50
IP CODE	[IP]	X4	X4	X4	X4	X4	X4	X4
INSULATION CLASS		II	II	II	II	II	II	II



**DIMENSIONS [MM]**

TYPE	A	B	C	D	E	F
WD BLDC Ø100	98	96	243	18	192	22
WD BLDC Ø125	124	120	243	19	189	18
WD BLDC Ø150	148	129	270	20	185	27
WD BLDC Ø160	158	129	270	24	185	35
WD BLDC Ø200	198	160	344	20	240	25
WD BLDC Ø250	248	175	344	22	245	25
WD BLDC Ø315	315	190	401	23	280	34

**CHECK OUT OTHER FANS WITH TESLA BLDC MOTOR**



Axial reverse fan  
(Intake - exhaust)

**WOKS**  
*Gold* BLDC



Centrifugal  
roof fan

**WD**  
BLDC



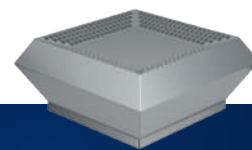
Centrifugal  
roof fan

**WDII**  
BLDC



Centrifugal  
roof fan

**EURO OD**  
BLDC



Centrifugal  
roof fan

**WDD**  
BLDC



Centrifugal  
duct fan

**EURO O**  
BLDC