



# DOSPEL

Leader in Ventilation

-SINCE 1974-



**NEW**

## **BREAKTHROUGH TECHNOLOGY IN INDUSTRIAL VENTILATION**

**APPLICATION OF TESLA BLDC MOTORS  
ENERGY SAVING UP TO -70%**

**UP TO 8 YEARS OF WARRANTY AS CONFIRMATION OF THE QUALITY OF DOSPEL**



Axial  
exhaust fan

**WOKS**  
*Silver* BLDC



Axial reversible fan  
supply and exhaust

**WOKS**  
*Gold* BLDC



Axial  
intake fan

**WOKS**  
*Blue* BLDC



Woks Gold BLDC  
controller

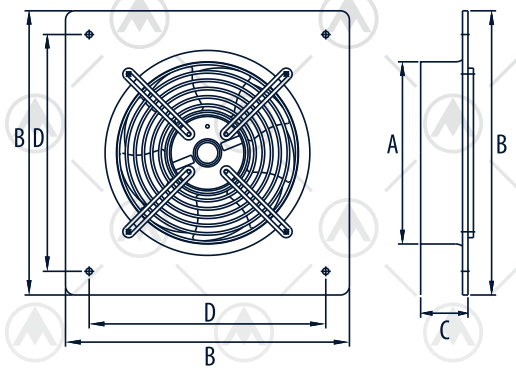
**THANKS TO SMOOTH POWER  
ADJUSTMENT YOU HAVE FULL CONTROL  
OVER ELECTRICITY CONSUMPTION ON  
THE POTENTIOMETER**

## TECHNICAL PARAMETERS - EXHAUST

TYPE	UNIT	WOKS BLDC Ø200	WOKS BLDC Ø250	WOKS BLDC Ø300	WOKS BLDC Ø350
AIR FLOW	[m³/h]	890	1700	2100	2900
STATIC PRESSURE	[Pa]	130	230	220	140
STATIC PRESSURE	[mm H2O]	13,26	23,45	22,43	14,29
ACOUSTIC PRESSURE	[dB(A)3m]	70	70	60	60
POWER SUPPLY	[V/Hz]	230/50	230/50	230/50	230/50
ROTATION SPEED	[RPM]	2500	2500	2500	1440
POWER	[W]	40	70	90	82
MAX. WORKING TEMP.	[°C]	70	70	70	70
WEIGHT	[kg]	2,15	2,2	3,40	4,90
IP CODE	[IP]	X4	X4	X4	X4
INSULATION CLASS		II	II	II	II

## TECHNICAL PARAMETERS - INTAKE

TYPE	UNIT	WOKS BLDC Ø200	WOKS BLDC Ø250	WOKS BLDC Ø300	WOKS BLDC Ø350
AIR FLOW	[m³/h]	720	1300	1700	2250
STATIC PRESSURE	[Pa]	115	180	170	120
STATIC PRESSURE	[mm H2O]	11,7	18,3	17,3	12,2
ACOUSTIC PRESSURE	[dB(A)3m]	65	65	60	60
POWER SUPPLY	[V/Hz]	230/50	230/50	230/50	230/50
ROTATION SPEED	[RPM]	2500	2500	2500	1440
POWER	[W]	40	70	90	82
MAX. WORKING TEMP.	[°C]	70	70	70	70
WEIGHT	[kg]	2,15	2,2	3,40	4,90
IP CODE	[IP]	X4	X4	X4	X4
INSULATION CLASS		II	II	II	II



## DIMENSIONS [MM]

TYPE	A	B	C	D
WOKS BLDC Ø200	212	320	70	260
WOKS BLDC Ø250	262	365	90	315
WOKS BLDC Ø300	313	430	92	380
WOKS BLDC Ø350	360	485	88	435
WOKS BLDC Ø400	408	540	100	490
WOKS BLDC Ø450	465	575	125	535

## CHECK OUT OTHER FANS WITH **TESLA BLDC MOTOR**

